

Exploded View

Lift Rings and Engine Mounts to Block - Port

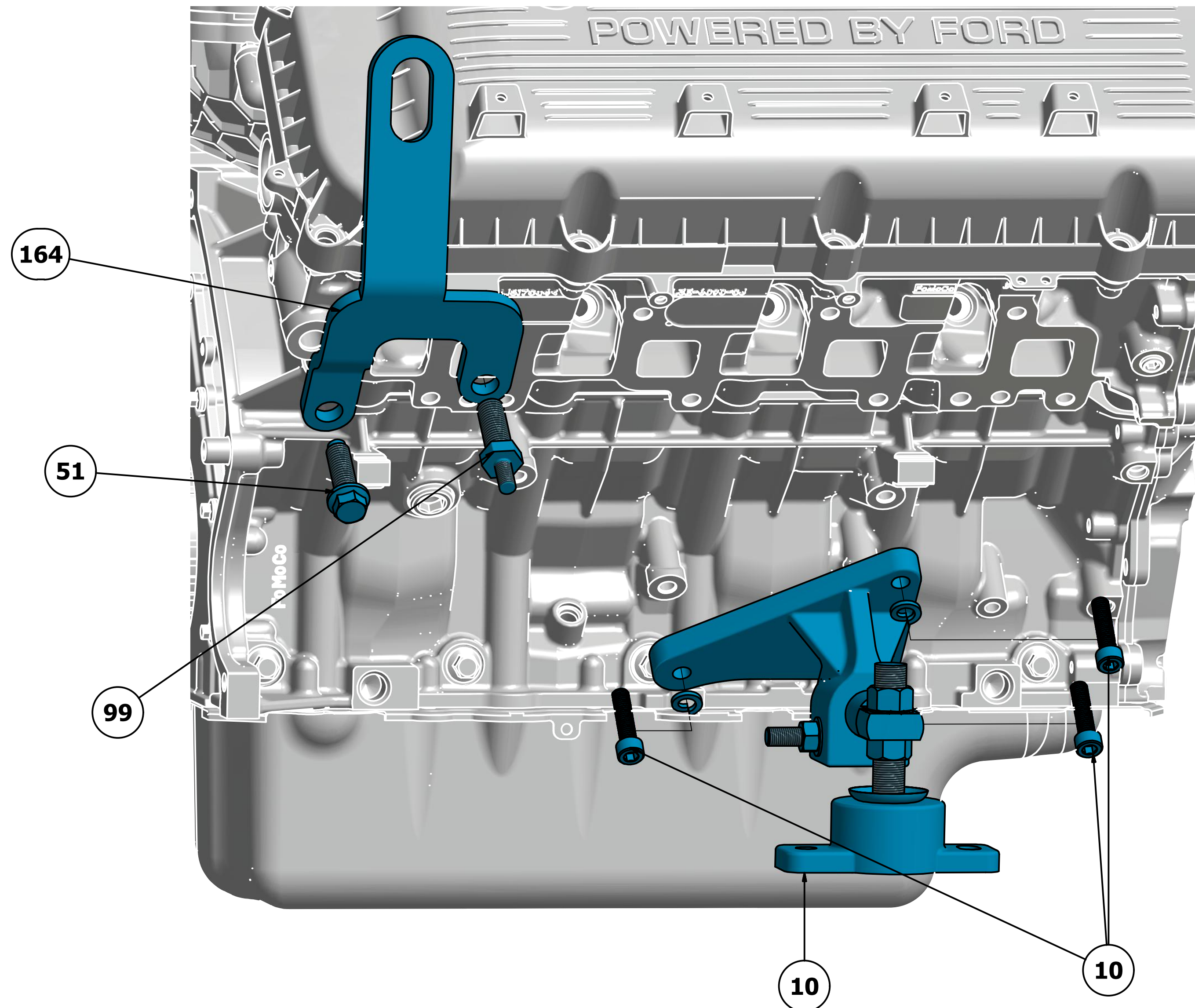
APPROVAL DATE

DWG NO

EV0023

PARTS LIST

ITEM	QTY	PART NUMBER	DESCRIPTION
164	2	985903	LIFT RING 6.2 FORD
99	1	566019	STUD GND M16-2.0, M10-1.5
51	1		W708144-S_1-BLT M14x2.00x43.0 HEX FLNG PIL 1
10	1		Ford Block Mount - Port



Applicable Models



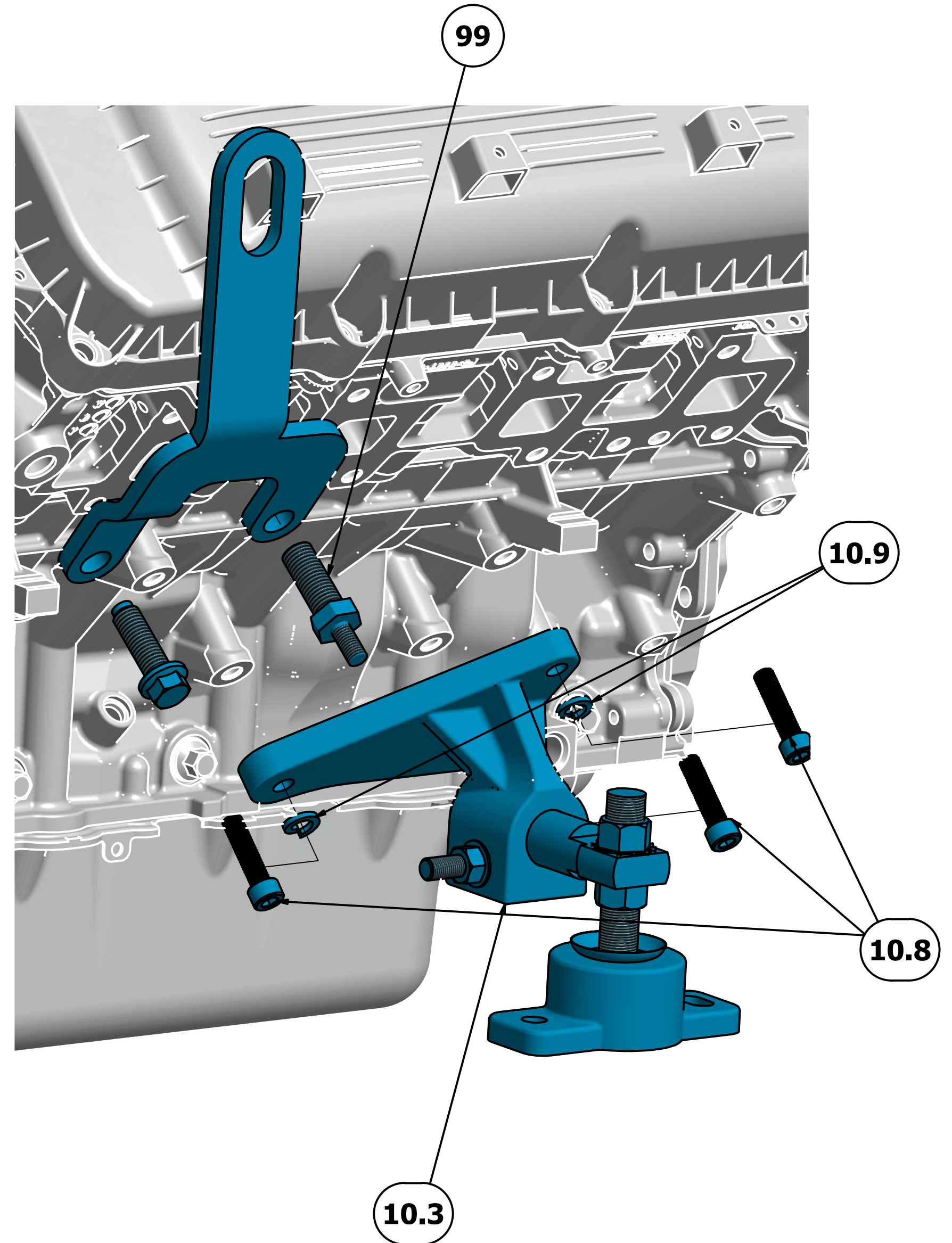
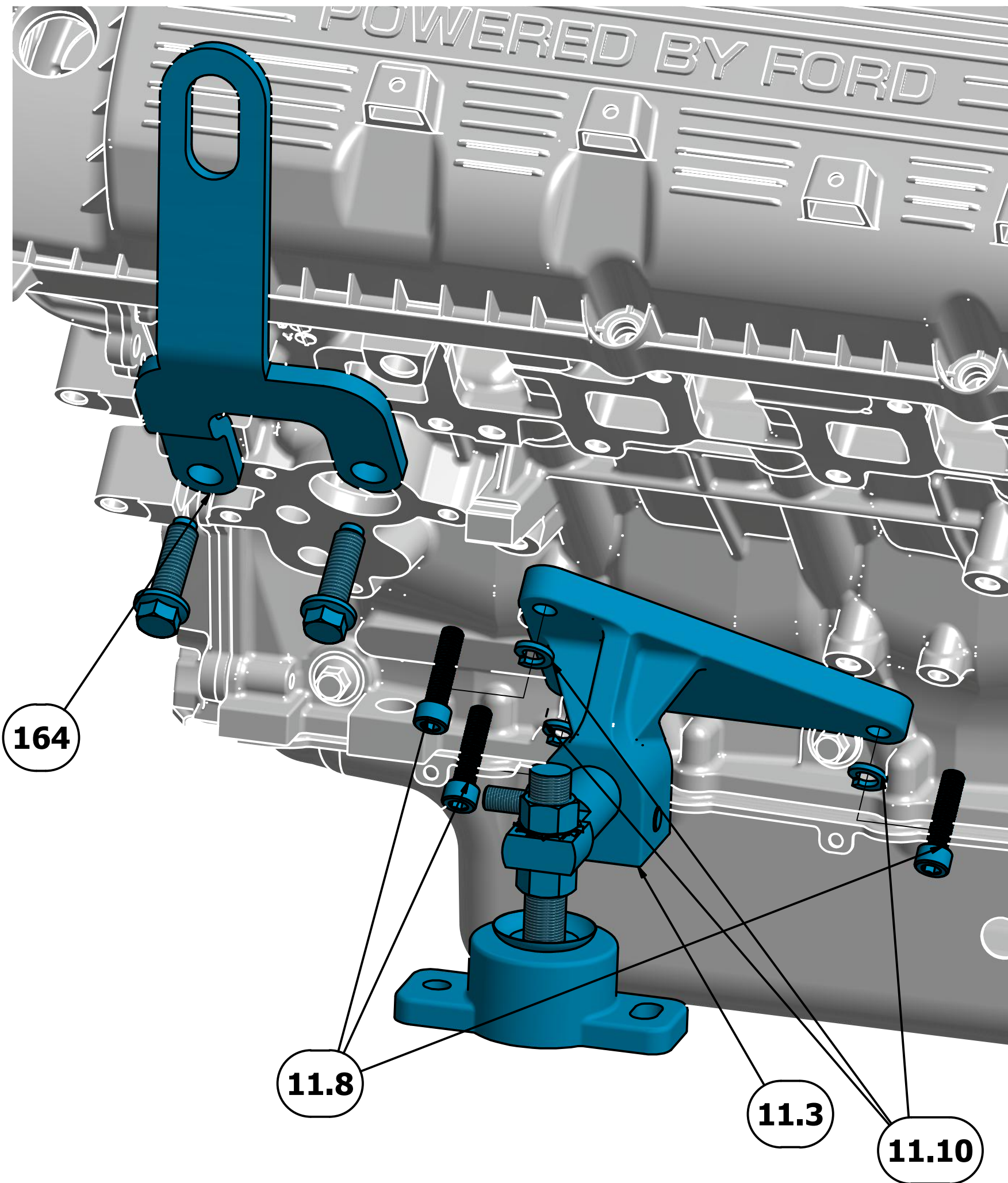

Exploded View

Lift Rings and Engine Mounts to Block - Stbd

APPROVAL DATE

DWG NO  
EV0024

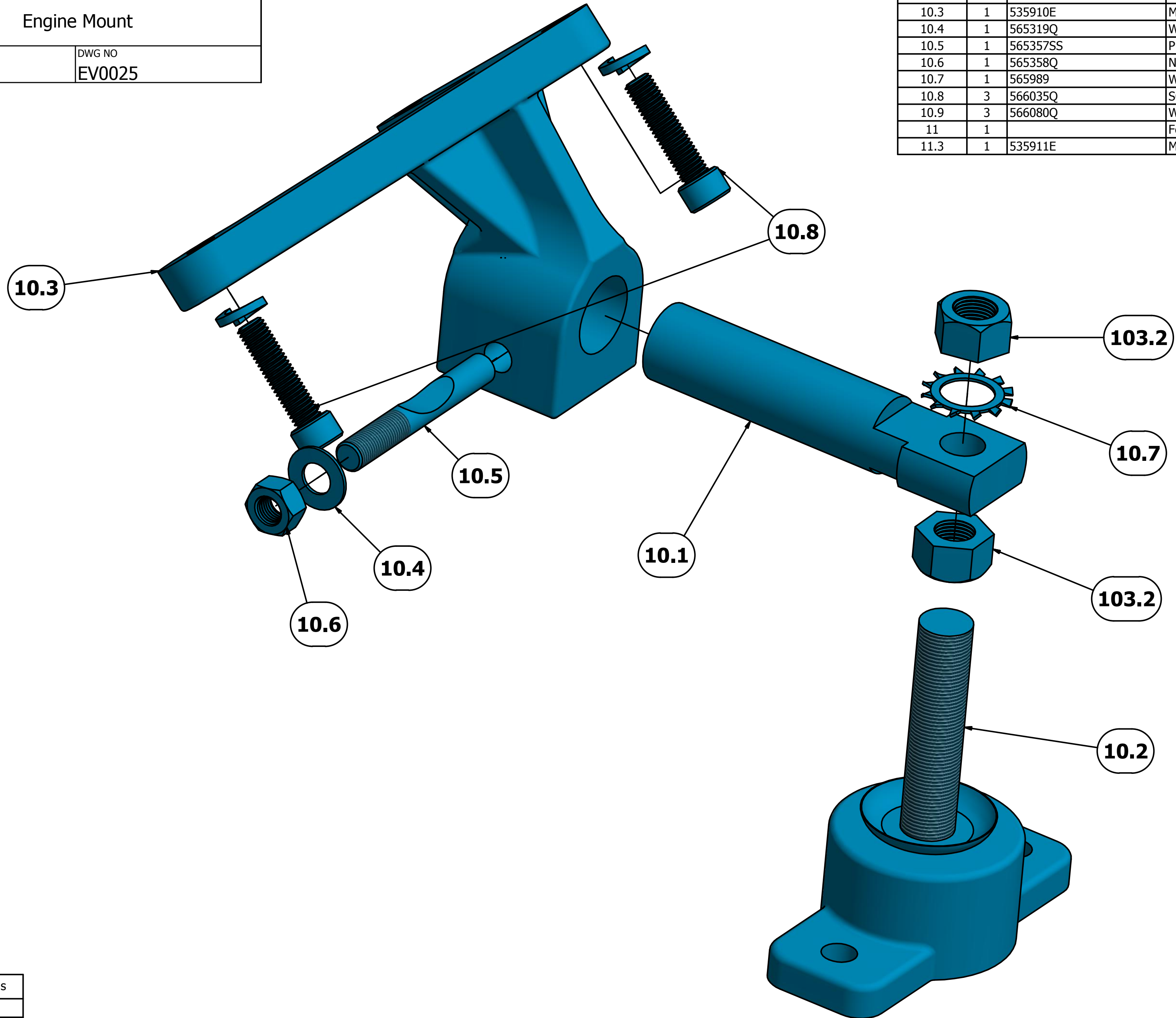
PARTS LIST			
ITEM	QTY	PART NUMBER	DESCRIPTION
11	1		Ford Block Mount - Starboard
11.2	1	535032	PAD FRONT STRINGER FLAT
11.8	3	566035Q	SCREW SHC M10x1.50x40 SP2
164	2	985903	LIFT RING 6.2 FORD
99	1	566019	STUD GND M16-2.0, M10-1.5
10.3	1	535910E	MOUNT ENGINE PORT ECOATED 6.2L
10.8	3	566035Q	SCREW SHC M10x1.50x40 SP2
10.9	3	566080Q	WASHER LOCK 10 MM SP 25



Applicable Models



PARTS LIST			
ITEM	QTY	PART NUMBER	DESCRIPTION
10	1		Ford Block Mount - Port
10.1	1	531133Q	BAR TRUNNION - MACHINED 49
10.2	1	535032	PAD FRONT STRINGER FLAT
10.3	1	535910E	MOUNT ENGINE PORT ECOATED 6.2L
10.4	1	565319Q	WASHER FLAT 7/16 SAE SP25
10.5	1	565357SS	PULL PIN STAINLESS
10.6	1	565358Q	NUT HEX 7/16-20 x 3-1/2 SP25
10.7	1	565989	WASHER 3/4 EXTERNAL TOOTH
10.8	3	566035Q	SCREW SHC M10x1.50x40 SP2
10.9	3	566080Q	WASHER LOCK 10 MM SP 25
11	1		Ford Block Mount - Starboard
11.3	1	535911E	MOUNT ENGINE STBD ECOATED 6.2L



Applicable Models



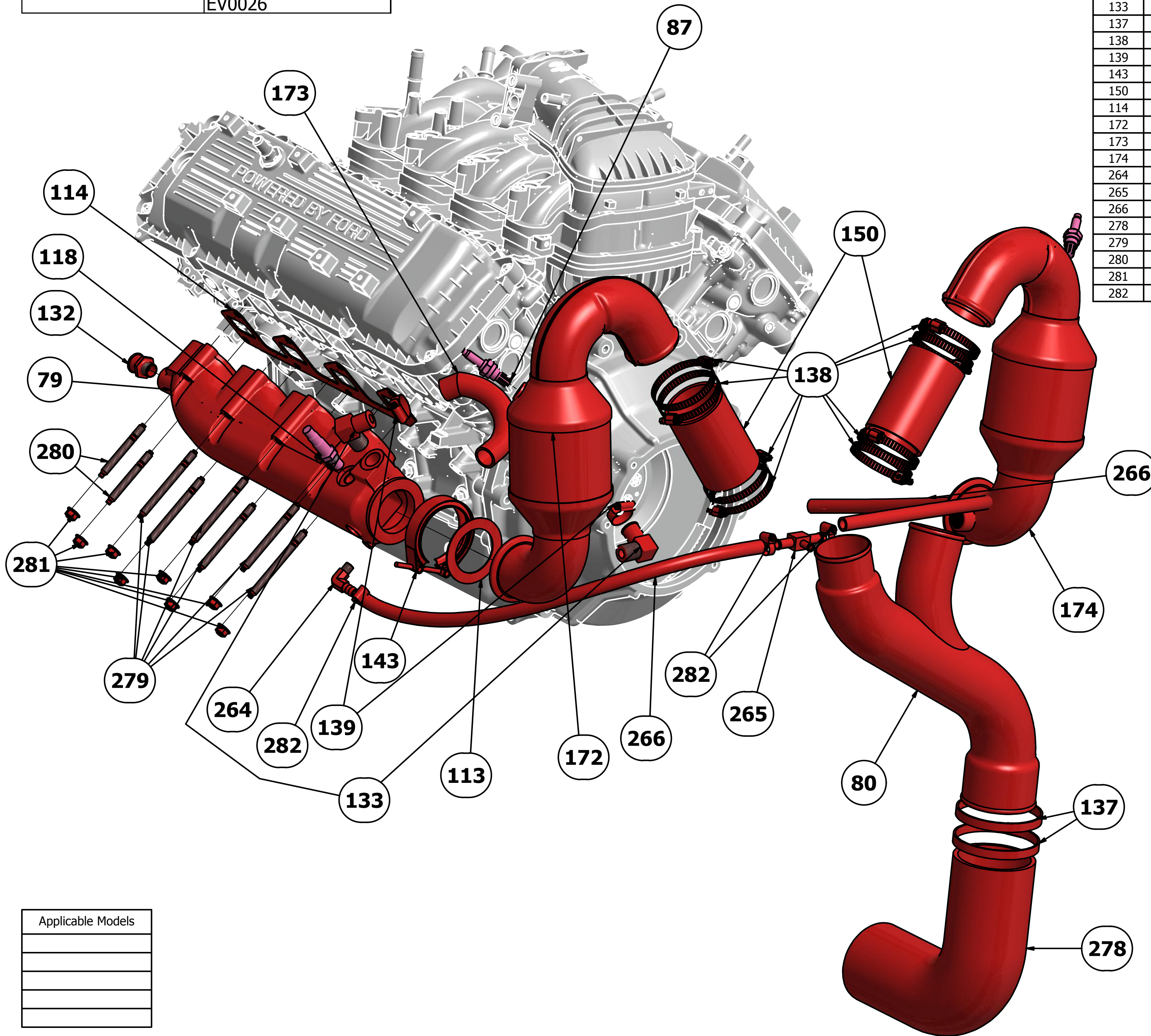
Exploded View

Exhaust System

APPROVAL DATE

DWG NO

EV0026



PARTS LIST			
ITEM	QTY	PART NUMBER	DESCRIPTION
78	1	535900	MANIFOLD PORT 6.2 FORD W/CAT
79	1	535901	MANIFOLD STBD 6.2 FORD W.CAT
80	1	535904E	EXHAUST Y PIPE 6.2 FORD E-COATED
87	2	556162	Sensor O2-Heated - 4 wire
113	2	597001	GASKET EXHAUST ELBOW 6.2
118	2	597014	SENSOR O2 WIDE RANGE 6.2 FORD
132	2	605008	FITTING 3/4" NPT X1" NYLON STR
133	4	605012	FITTING 3/4 x 1" NYLON ELBOW
137	5	735003	CLAMP HOSE #64
138	8	735005	CLAMP HOSE #56
139	10	735006	CLAMP HOSE #16 C6716
143	2	735029	CLAMP V-BAND 6.2L FORD
150	2	845049-050	HOSE EXHAUST HITEMP 3" DIA, 5" LONG
114	2	597005	EXH GASKET MAN2HEAD 6.2 FORD COMETIC
172	1	535903E	ELBOW STBD W/CAT 6.2 FORD
173	2	845907	HOSE FORMED 1" FORD EXH2CAT
174	1	535902E	ELBOW PORT W/CAT 6.2 FORD
264	2	605075	FITTING 1/4 NPT X 1/2 HOSE 90
265	1	605007	FITTING GLASS FILLED NYLON 1/2 x 3/8 TEE
266	2	845030-200	HOSE 1/2 FLEX-LOC 20
278	1	845061	EXHAUST ELBOW 4" RUBBER
279	12	566900	STUD MJ10 X 1.25 X 122 FORD MANIFOLD
280	4	566901	STUD MJ10 X 1.25 X 95 FORD MANIFOLD
281	16	566094Q	NUT MJ10 X 1.25 HEX FLANGED
282	4	735004	CLAMP HOSE #8

Applicable Models



Exploded View

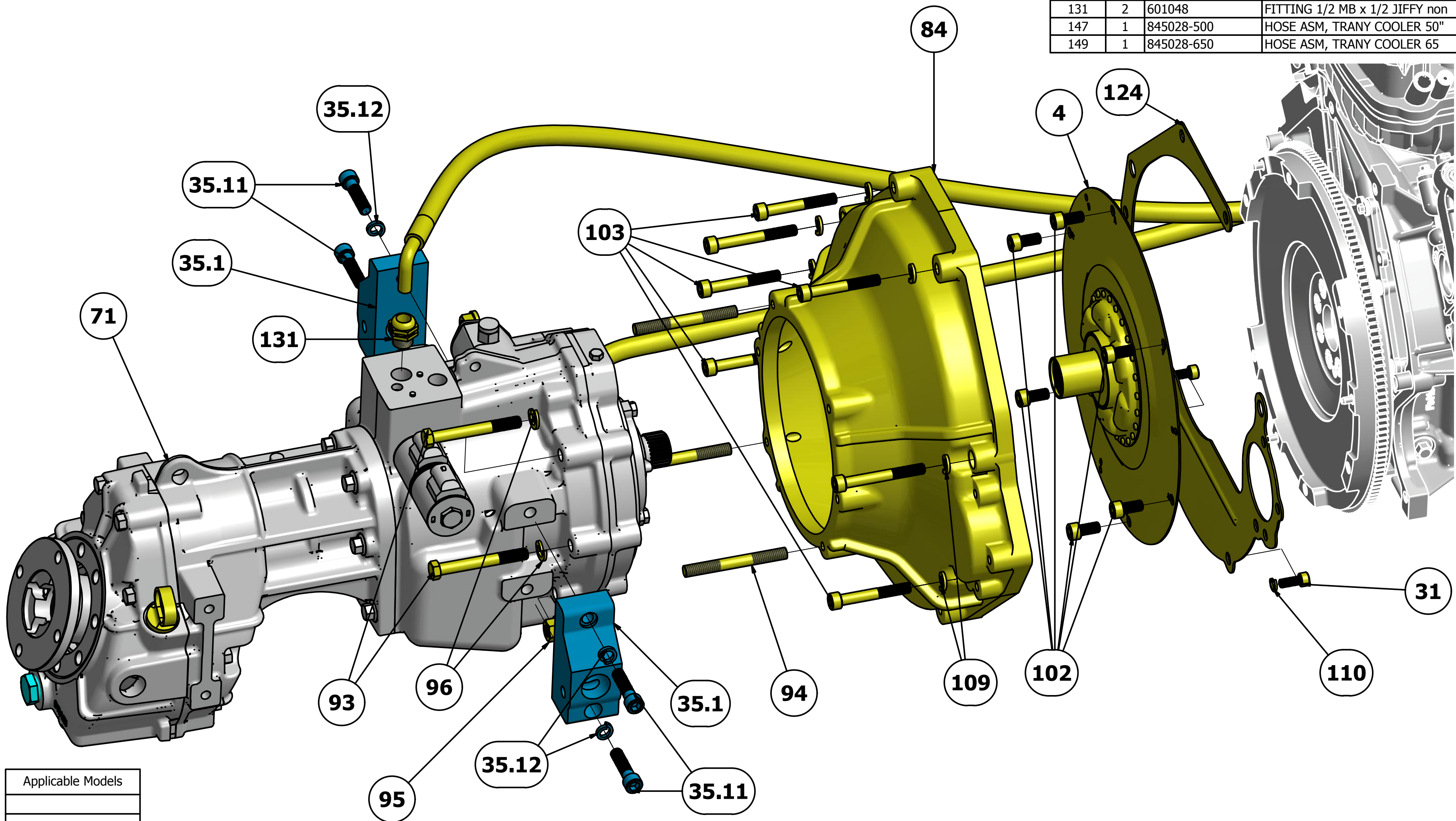
Transmission - Port View

APPROVAL DATE

DWG NO

EV0027

PARTS LIST			
ITEM	QTY	PART NUMBER	DESCRIPTION
4	1		Drive plate
31	2		SCREW SHCS M8 x 1.25 x 20 SP 25
35.1	2	535042E	SUPPORT TRANS TRUNION ECOATED MS
35.11	4	565342Q	SCREW SHCS 7/16-14 X 1 3/4 SP
35.12	4	565351Q	WASHER LOCK 7/16 FOR SHCS
71	1	082120ES	IVD 1.46 VELVET DRI THRU SHAFT ELECTRIC
84	1	535912	BELL HOUSING MACHINED 6.2
93	3	565315Q	SCREW HCS 7/16-14 X 3 1/2 SP 2
94	3	565316Q	STUD B7 7/16-14 X 4 SP25
95	3	565345Q	NUT F HEX 7/16-14 SP 25
96	3	565350Q	WASHER LOCK 7/16 SP 25
102	6	566034Q	SCREW SHC M10 X 1.50 X 20 SP 2
103	5	566036Q	SCREW SHC M10 X 1.50 X 70 SP 2
104	2	566039Q	SCREW SHC M10 X 1.50 X 80
109	7	566080Q	WASHER LOCK 10 MM SP 25
110	2	566084Q	WASHER LOCK 8MM NANOMATE
124	1	597028	PLATE SPLASH/STARTER FORD 6.2
131	2	601048	FITTING 1/2 MB x 1/2 JIFFY non
147	1	845028-500	HOSE ASM, TRANY COOLER 50"
149	1	845028-650	HOSE ASM, TRANY COOLER 65"



Applicable Models



Exploded View

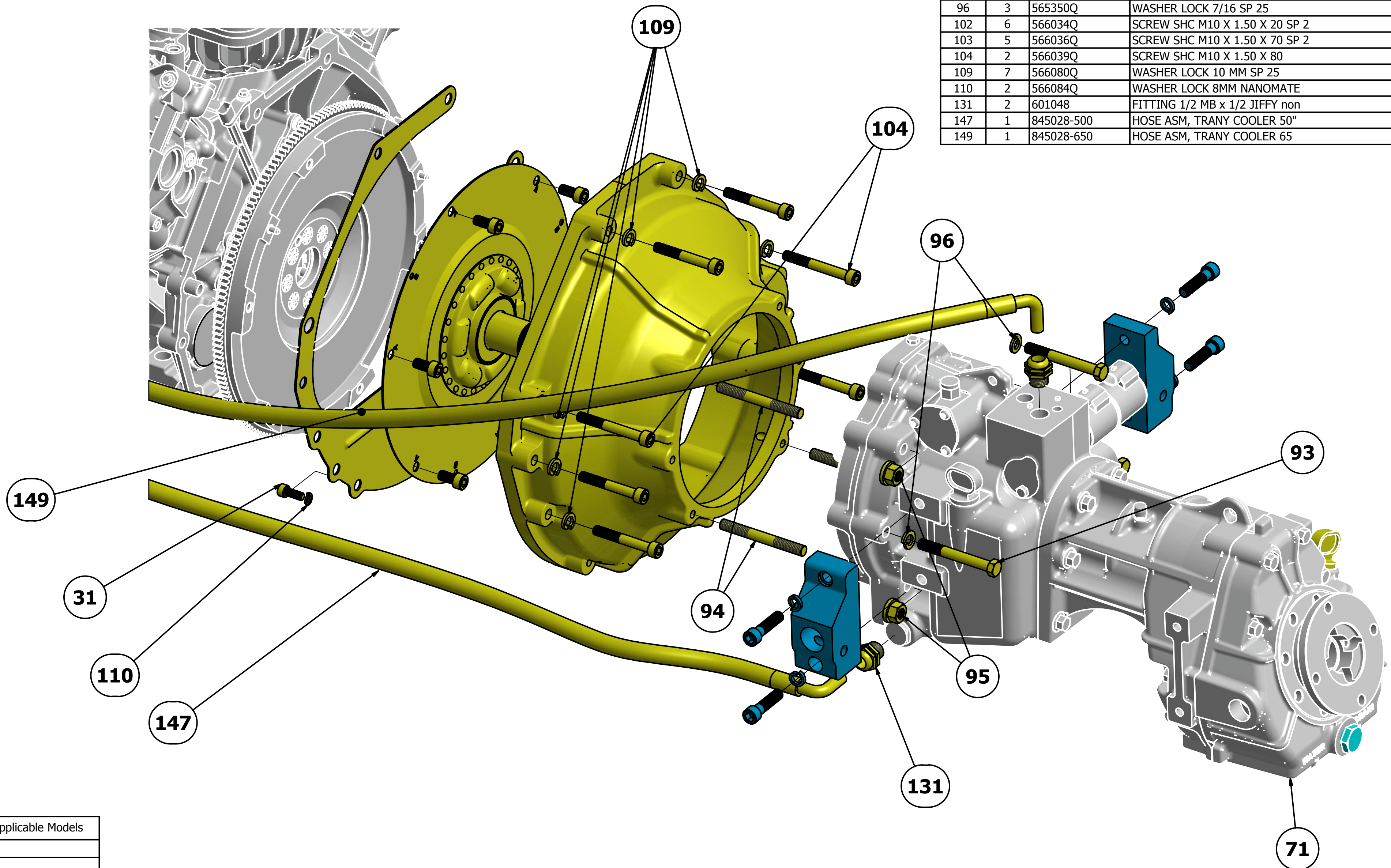
Transmission Starboard View

APPROVAL DATE

DWG NO

EV0028

PARTS LIST			
ITEM	QTY	PART NUMBER	DESCRIPTION
4	1		Drive plate
31	2		SCREW SHCS M8 x 1.25 x 20 SP 25
35.1	2	535042E	SUPPORT TRANS TRUNION ECOATED MS
35.11	4	565342Q	SCREW SHCS 7/16-14 X 1 3/4 SP
35.12	4	565351Q	WASHER LOCK 7/16 FOR SHCS
71	1	082120ES	IVD 1.46 VELVET DRI THRU SHAFT ELECTRIC
84	1	535912	BELL HOUSING MACHINED 6.2
93	3	565315Q	SCREW HCS 7/16-14 X 3 1/2 SP 2
94	3	565316Q	STUD B7 7/16-14 X 4 SP25
95	3	565345Q	NUT F HEX 7/16-14 SP 25
96	3	565350Q	WASHER LOCK 7/16 SP 25
102	6	566034Q	SCREW SHC M10 X 1.50 X 20 SP 2
103	5	566036Q	SCREW SHC M10 X 1.50 X 70 SP 2
104	2	566039Q	SCREW SHC M10 X 1.50 X 80
109	7	566080Q	WASHER LOCK 10 MM SP 25
110	2	566084Q	WASHER LOCK 8MM NANOMATE
131	2	601048	FITTING 1/2 MB x 1/2 JIFFY non
147	1	845028-500	HOSE ASM, TRANY COOLER 50"
149	1	845028-650	HOSE ASM, TRANY COOLER 65"

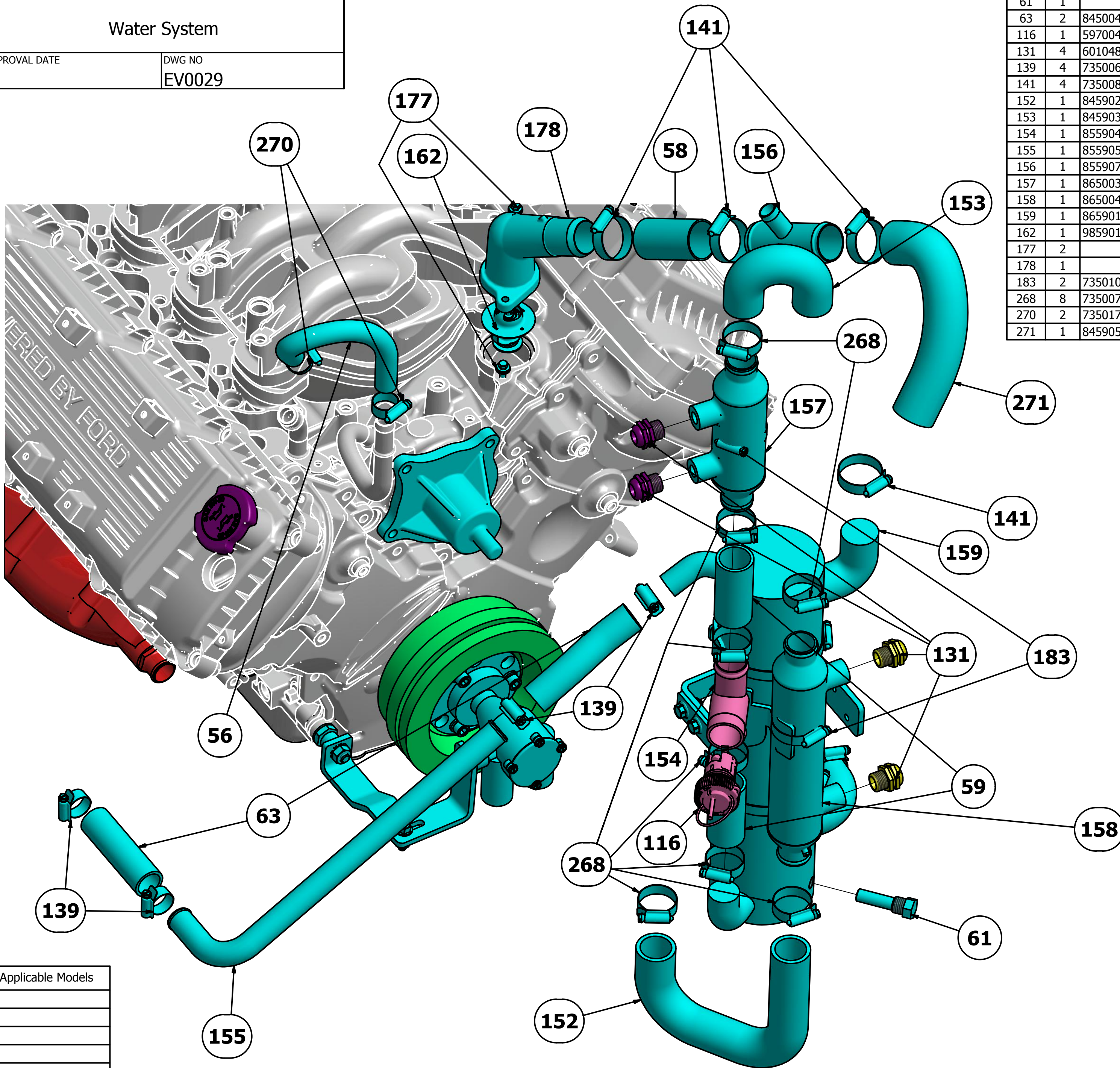


Applicable Models



Exploded View  
Water System

APPROVAL DATE \_\_\_\_\_ DWG NO EV0029

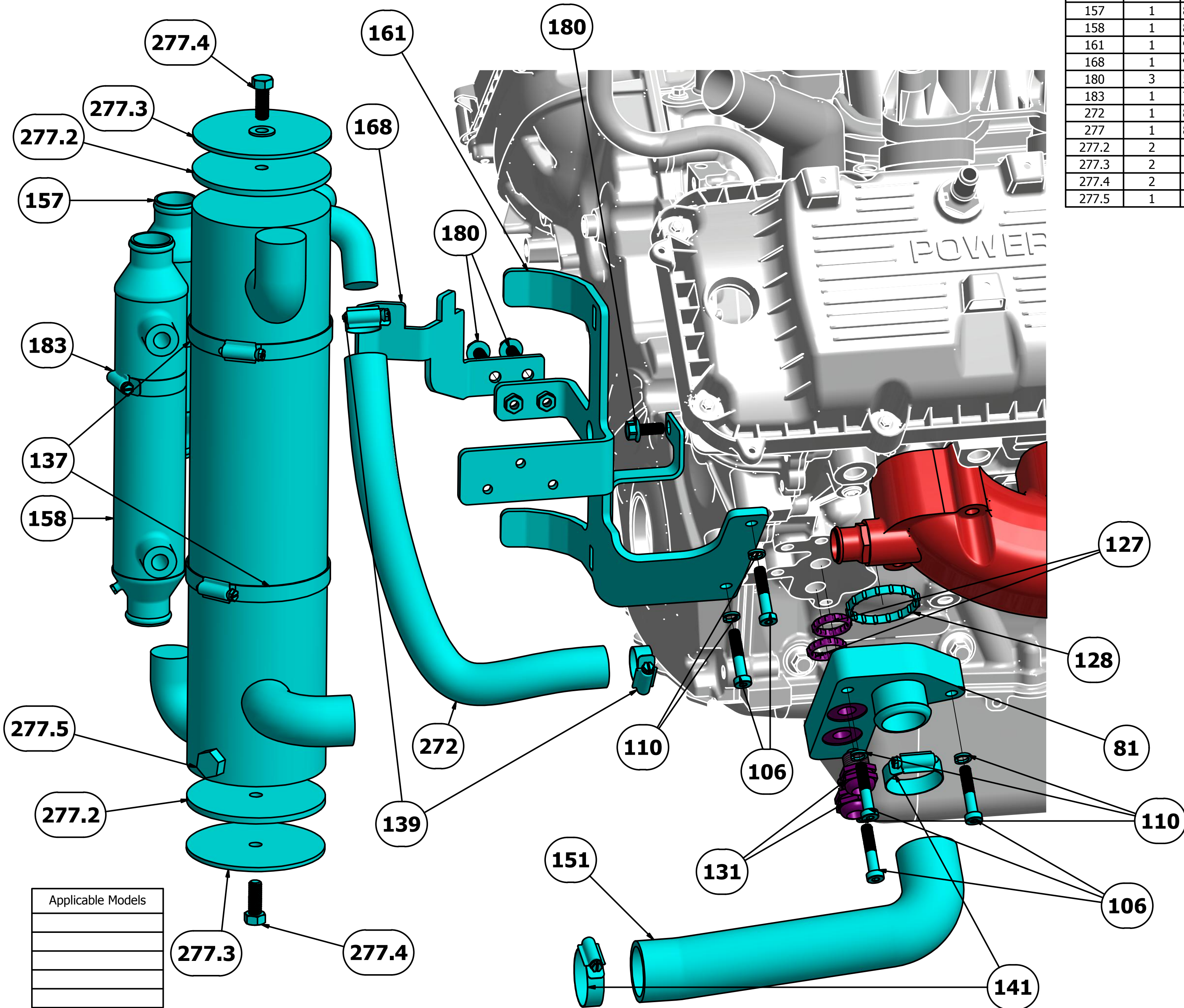


PARTS LIST			
ITEM	QTY	PART NUMBER	DESCRIPTION
56	1	845906	HOSE FORMED 3/4" FORD HEATER
58	1	845904	HOSE FORMED 1.5" FORD THERM2TEE
61	1		Sacrificial Anode
63	2	845004-040	HOSE 1" SOFT WALL 4" LONG
116	1	597004	SENSOR WATER FLOW FORD
131	4	601048	FITTING 1/2 MB x 1/2 JIFFY non
139	4	735006	CLAMP HOSE #16 C6716
141	4	735008	CLAMP HOSE #24
152	1	845902	HOSE FORMED FORD LOWER COOLER
153	1	845903	HOSE FORMED FORD UPPER COOLER
154	1	855904E	TUBE OIL COOLER TO HEATEXC 6.2L ECOAT
155	1	855905E	TUBE HEATEXC TO PORT MANIFOLD 6.2L ECOAT
156	1	855907E	TUBE HEATEXC TO THERMOSTAT 6.2L ECOAT
157	1	865003	COOLER 5" STD w/ORING THREAD
158	1	865004	COOLER 9" STD w/ORING THREAD
159	1	865901	HEAT EXCHANGER HALF SYS 6.2 FORD
162	1	985901	THERMOSTAT 160 DEGREE FORD
177	2		BLT & WSHR M06x1.00x27.0 FH
178	1		water outlet
183	2	735010	CLAMP HOSE #32
268	8	735007	CLAMP HOSE #20
270	2	735017	CLAMP HOSE #12
271	1	845905	HOSE FORMED 1.5" FORD HEX2TEE

Applicable Models



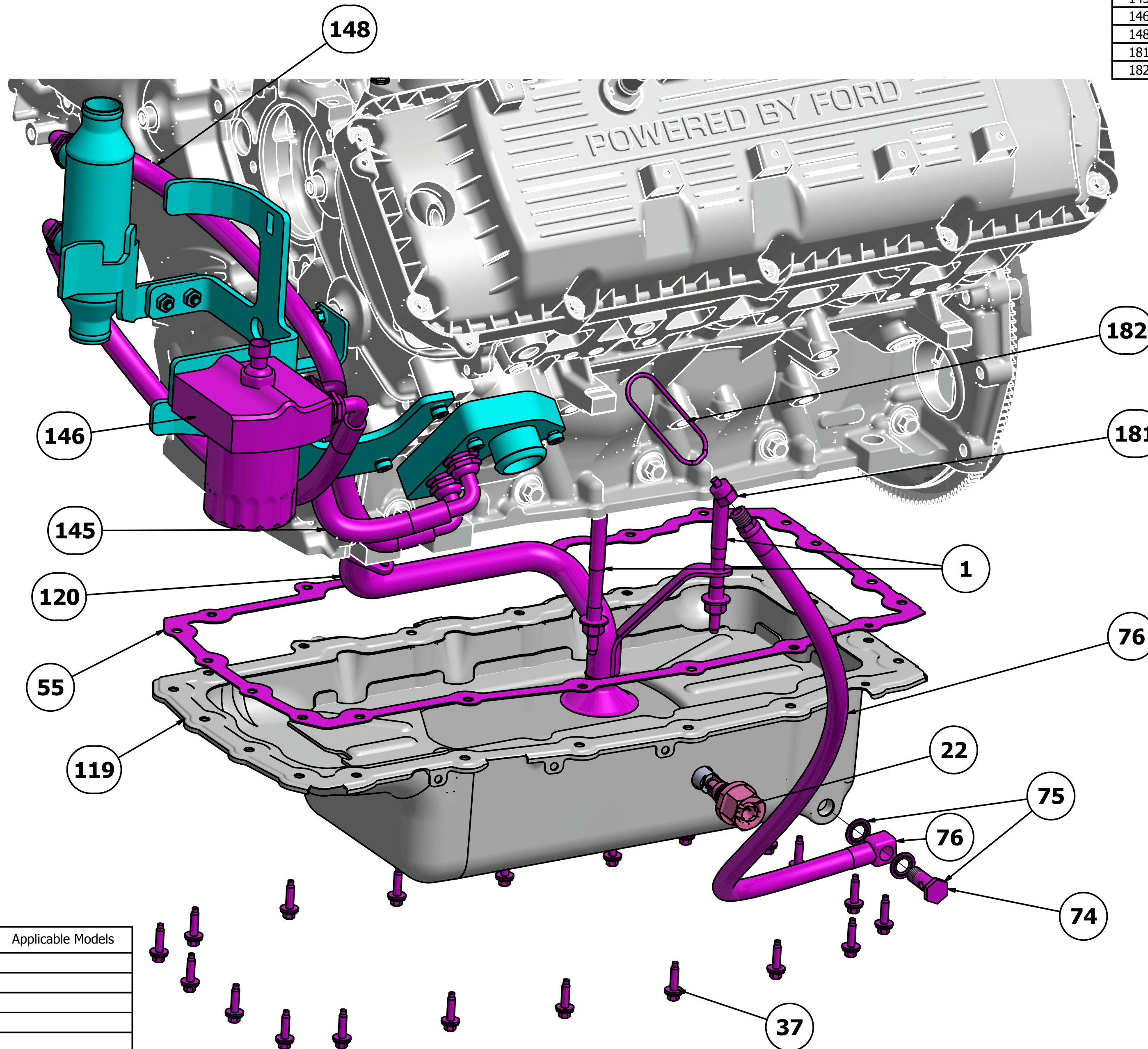
PARTS LIST			
ITEM	QTY	PART NUMBER	DESCRIPTION
81	1	535907E	WATER DIST HSG 6.2 FORD ECOATED
106	5	566052Q	SCREW SHCS 8MM X 1.25 X 40M SP
110	5	566084Q	WASHER LOCK 8MM NANOMATE
127	2	597041	SEAL OIL RELOCATOR TO COOLER FORD 6.2
128	1	597042	SEAL OIL COOLER WATER INLET FORD 6.2
131	2	601048	FITTING 1/2 MB x 1/2 JIFFY non
137	2	735003	CLAMP HOSE #64
141	2	735008	CLAMP HOSE #24
151	1	845901	HOSE FORMED FORD HEAT/EX TO ENG BLOCK
157	1	865003	COOLER 5" STD w/ORING THREAD
158	1	865004	COOLER 9" STD w/ORING THREAD
161	1	985900	BRACKET HEAT EXCHANGER 6.2 FORD
168	1	985919	BRACKET RAW WATER A 6.2 FORD
180	3	565969Q	SCREW FH M8-1.25 X 20 MM SP 2
183	1	735010	CLAMP HOSE #32
272	1	841023	HOSE FORMED ELL 1"
277	1	865901	HEAT EXCHANGER HALF SYS 6.2 FORD
277.2	2		Heat Exchanger Gasket
277.3	2		Heat Exchanger Cap
277.4	2		Heat Exchanger Bolt 3.8-16x1
277.5	1		Sacrificial Anode



Applicable Models



PARTS LIST			
ITEM	QTY	PART NUMBER	DESCRIPTION
1	2		Old Oil Pan Stud
22	1		Oil Level Sensor
37	1		BLT & WSHR M06x1.00x22.0 HEX FLN
55	1		oil pan gasket 2
74	1	511008	BOLT BANJO
75	2	515002	GASKET OIL DRAIN ALL
76	1	515005	HOSE OIL DRAIN-60" W/BANJO BOLT
119	1	597021	OIL PAN 6.2 FORD
120	1	597022	OIL PICK UP 6.2 FORD
145	1	845028-140S	HOSE ASM, TRANY COOLER 14" W/SLEEVE
146	1	845028-170S	HOSE ASM, TRANY COOLER 17 W/SLEEVE
148	1	845028-220S	HOSE ASM, TRANY COOLER 22" W/SLEEVE
181	1	511013	CAP DRAIN ALL W/HOOK HOLE
182	1	511014	HOOK DRAIN CAP



Applicable Models



Exploded View

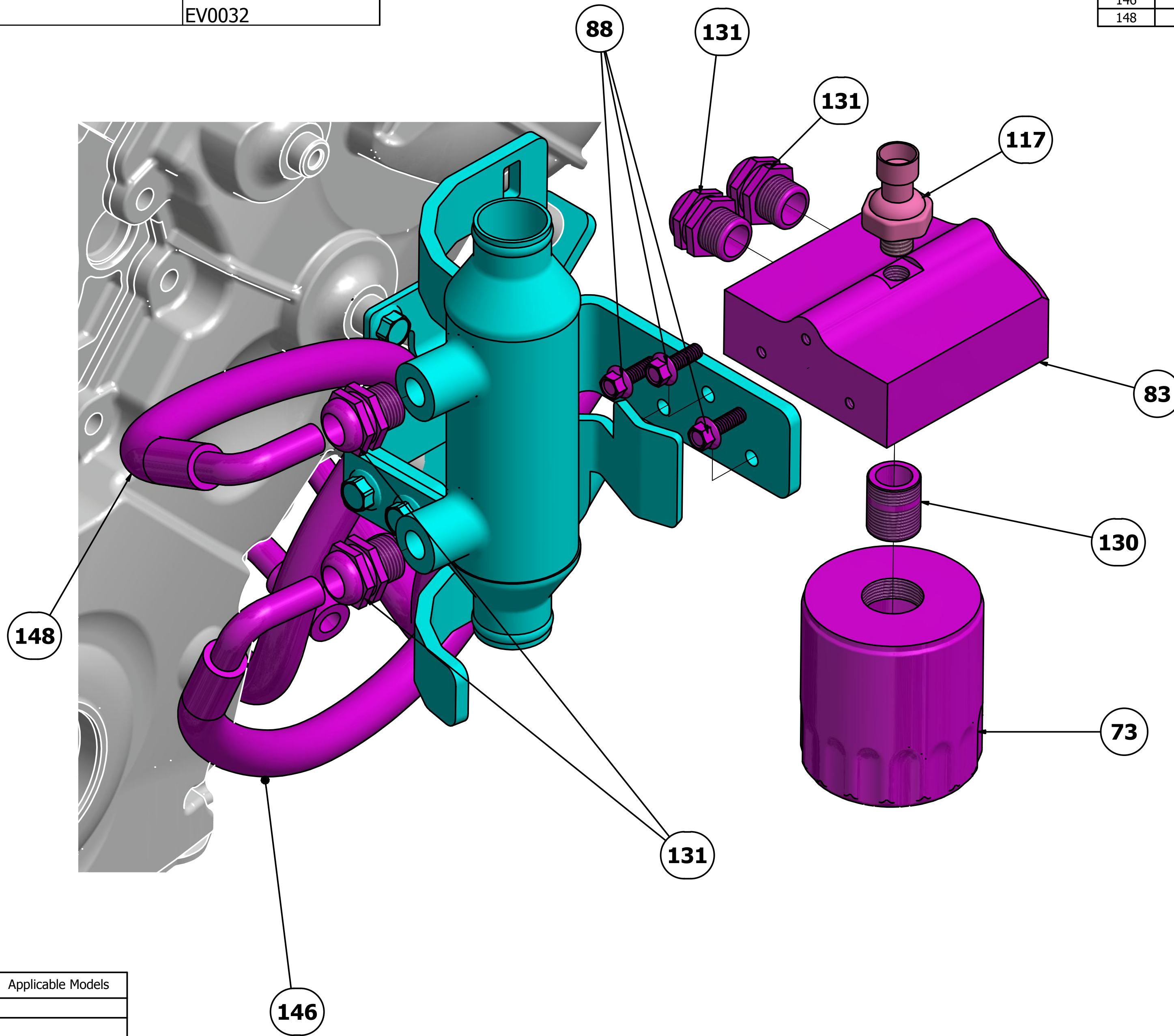
Oil Filter Relocator

APPROVAL DATE

DWG NO

EV0032

PARTS LIST			
ITEM	QTY	PART NUMBER	DESCRIPTION
73	1	501021	FILTER OIL Ford/Motorcraft FL820
83	1	535909	RELOCATOR OIL FILTER FORD
88	3	565005Q	SCREW FH 1/4 - 20 x 3/4 SPEC
117	1	597008	SENSOR OIL PRESSURE 6.2 FORD
130	1	601041	SPUD REMOTE OIL FILTER 22MM
131	4	601048	FITTING 1/2 MB x 1/2 JIFFY non
146	1	845028-170S	HOSE ASM, TRANY COOLER 17" W/SLEEVE
148	1	845028-220S	HOSE ASM, TRANY COOLER 22" W/SLEEVE



Applicable Models



Exploded View

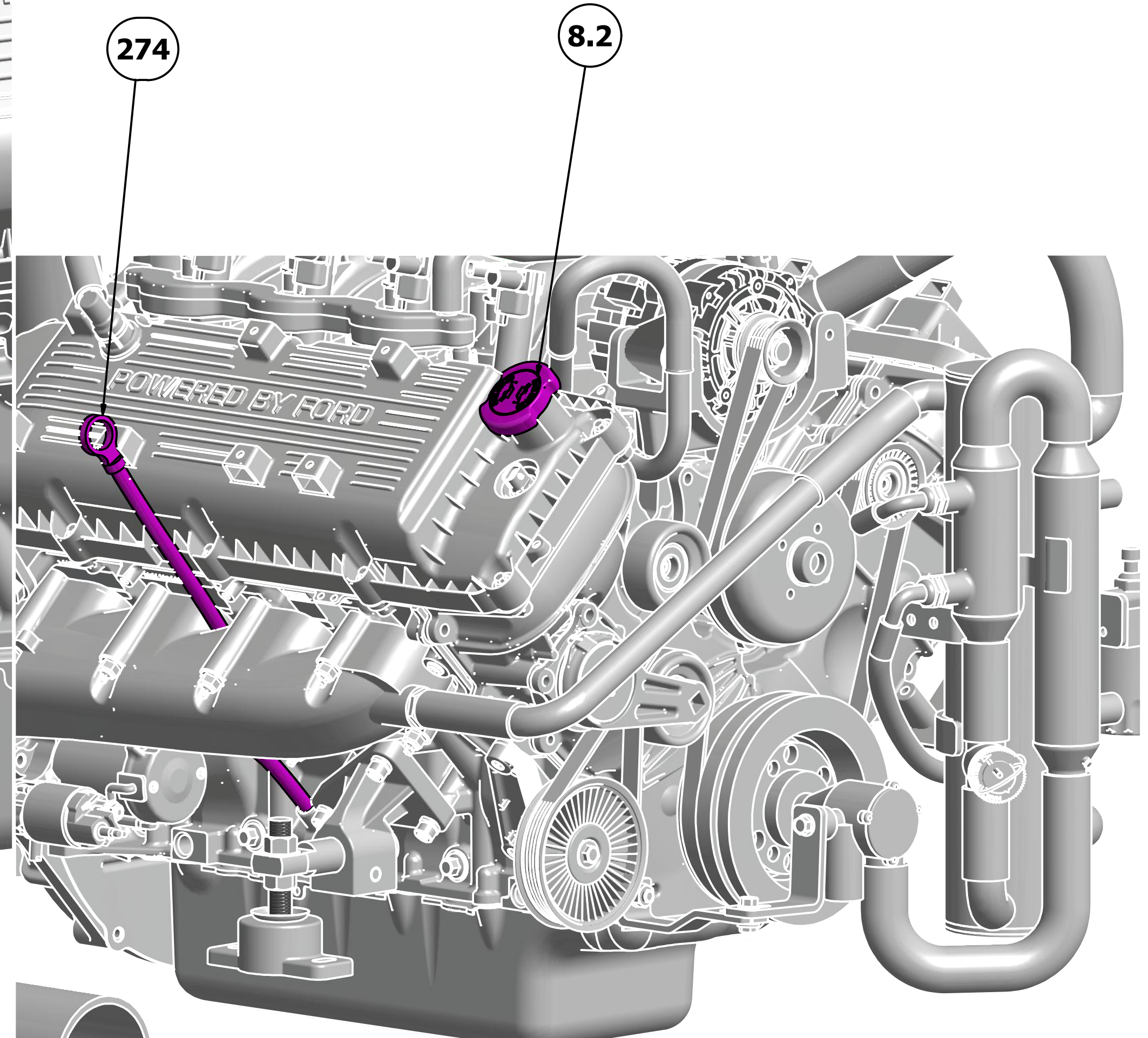
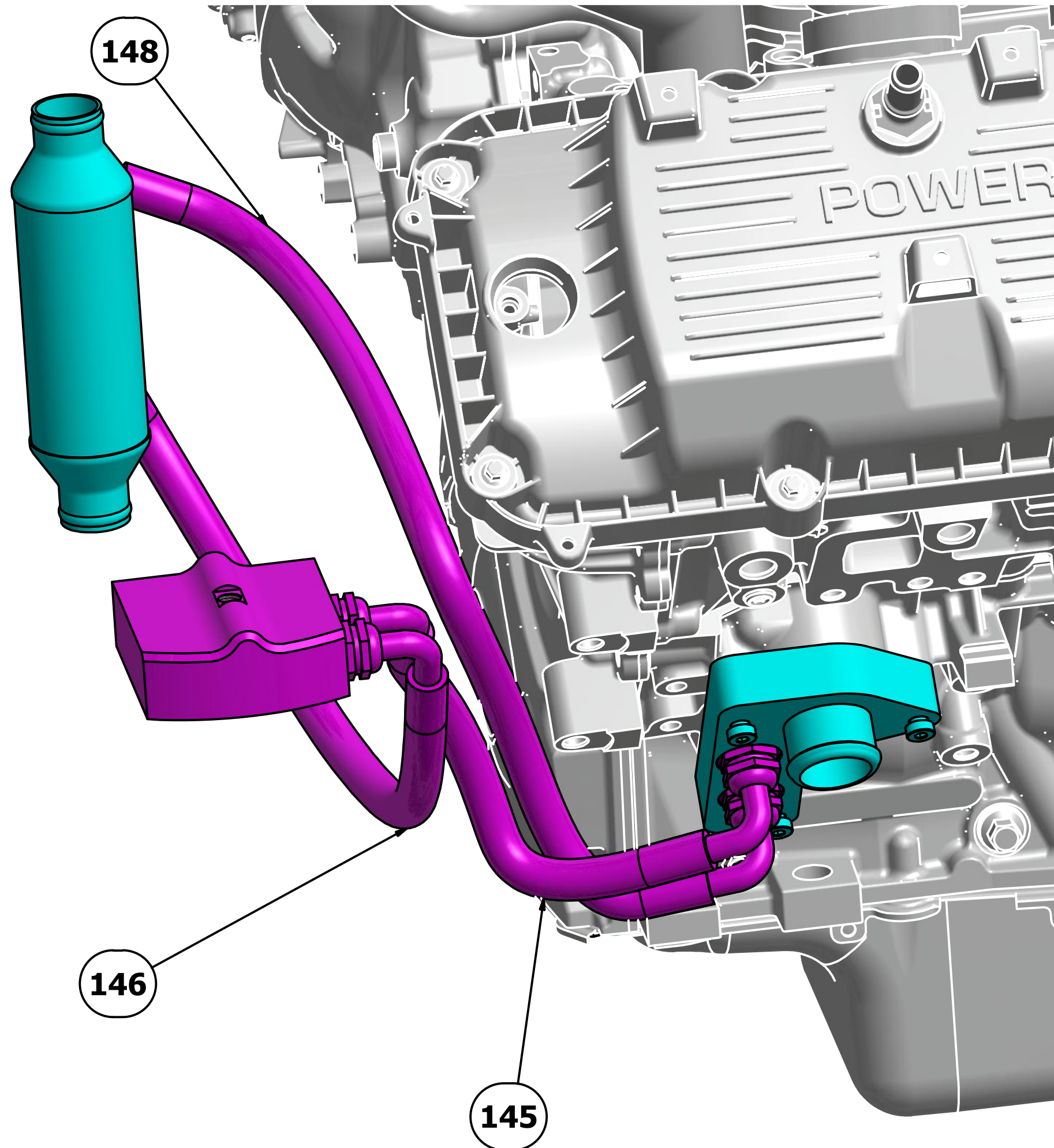
Oil System - Hose Routing

APPROVAL DATE

DWG NO

EV0033

PARTS LIST			
ITEM	QTY	PART NUMBER	DESCRIPTION
8.2	1		Oil Fill Cap
145	1	845028-140S	HOSE ASM, TRANY COOLER 14" W/SLEEVE
146	1	845028-170S	HOSE ASM, TRANY COOLER 17" W/SLEEVE
148	1	845028-220S	HOSE ASM, TRANY COOLER 22" W/SLEEVE
274	1	597034	DIPSTICK FORD 6.2
283	1	845040-040	HOSE 1" SOFT WALL 4" LONG



Applicable Models



Exploded View

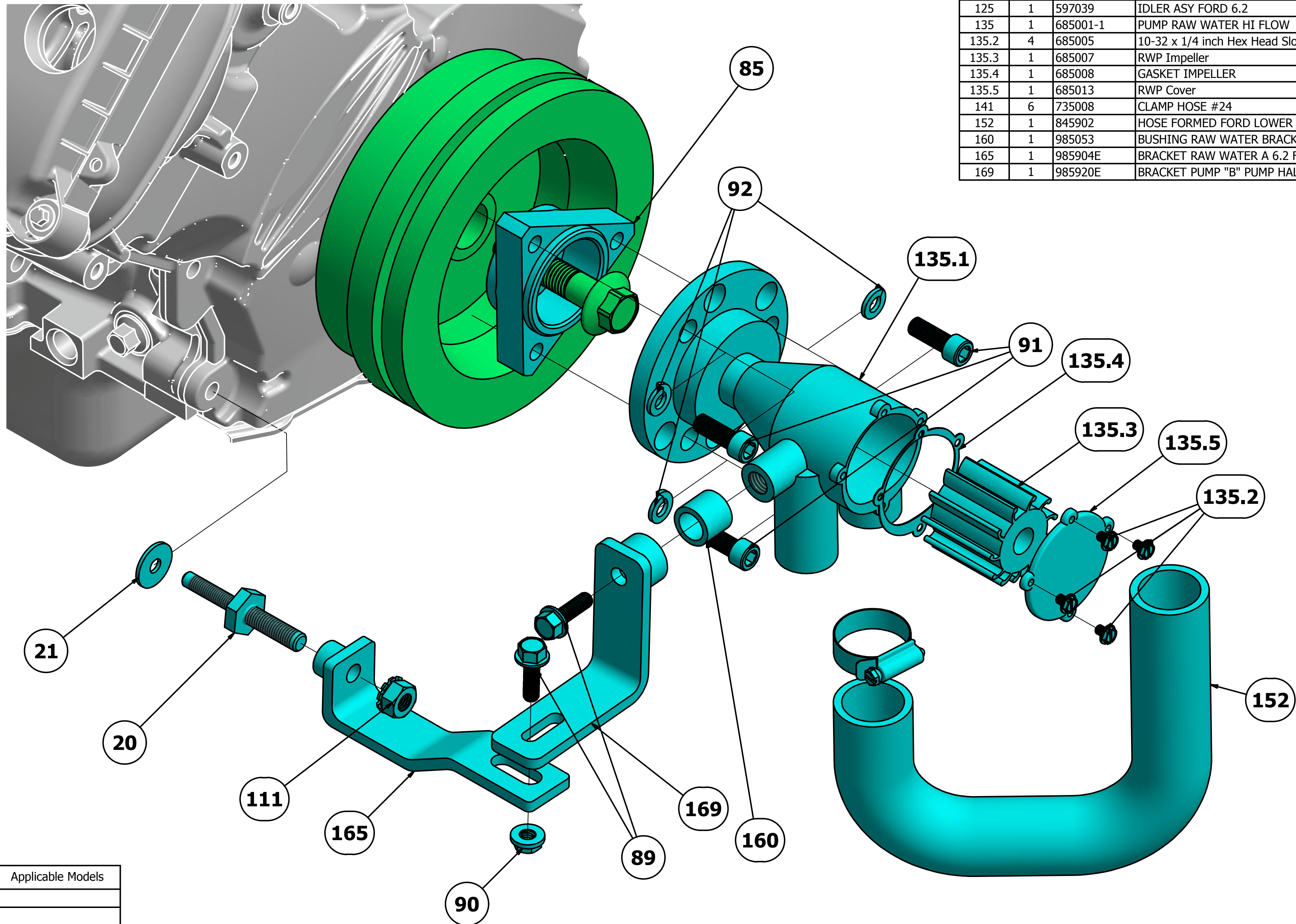
Raw Water Pump

APPROVAL DATE

DWG NO

EV0034

PARTS LIST			
ITEM	QTY	PART NUMBER	DESCRIPTION
20	1		Ford Water Pump Bracket Stud
21	1		Ford Water Pump Bracket Washer ID M8 OD 25mm T 2mm
85	1	535914	DRIVER RAW WATER PUMP FORD 6.2
89	2	565130Q	SCREW HCS FH 5/16-18 X 1 SP 25
90	1	565135Q	NUT F HEX 5/16-18 SP 25 2
91	3	565252Q	SCREW SHCS 3/8-24 X 1 SPEC25
92	3	565295Q	WASHER LOCK 3/8 SP 25
111	1	566086Q	NUT M10 KEPS SP 25
125	1	597039	IDLER ASY FORD 6.2
135	1	685001-1	PUMP RAW WATER HI FLOW
135.2	4	685005	10-32 x 1/4 inch Hex Head Slotted Screw
135.3	1	685007	RWP Impeller
135.4	1	685008	GASKET IMPELLER
135.5	1	685013	RWP Cover
141	6	735008	CLAMP HOSE #24
152	1	845902	HOSE FORMED FORD LOWER COOLER
160	1	985053	BUSHING RAW WATER BRACKET
165	1	985904E	BRACKET RAW WATER A 6.2 FORD
169	1	985920E	BRACKET PUMP "B" PUMP HALF 6.2



Applicable Models

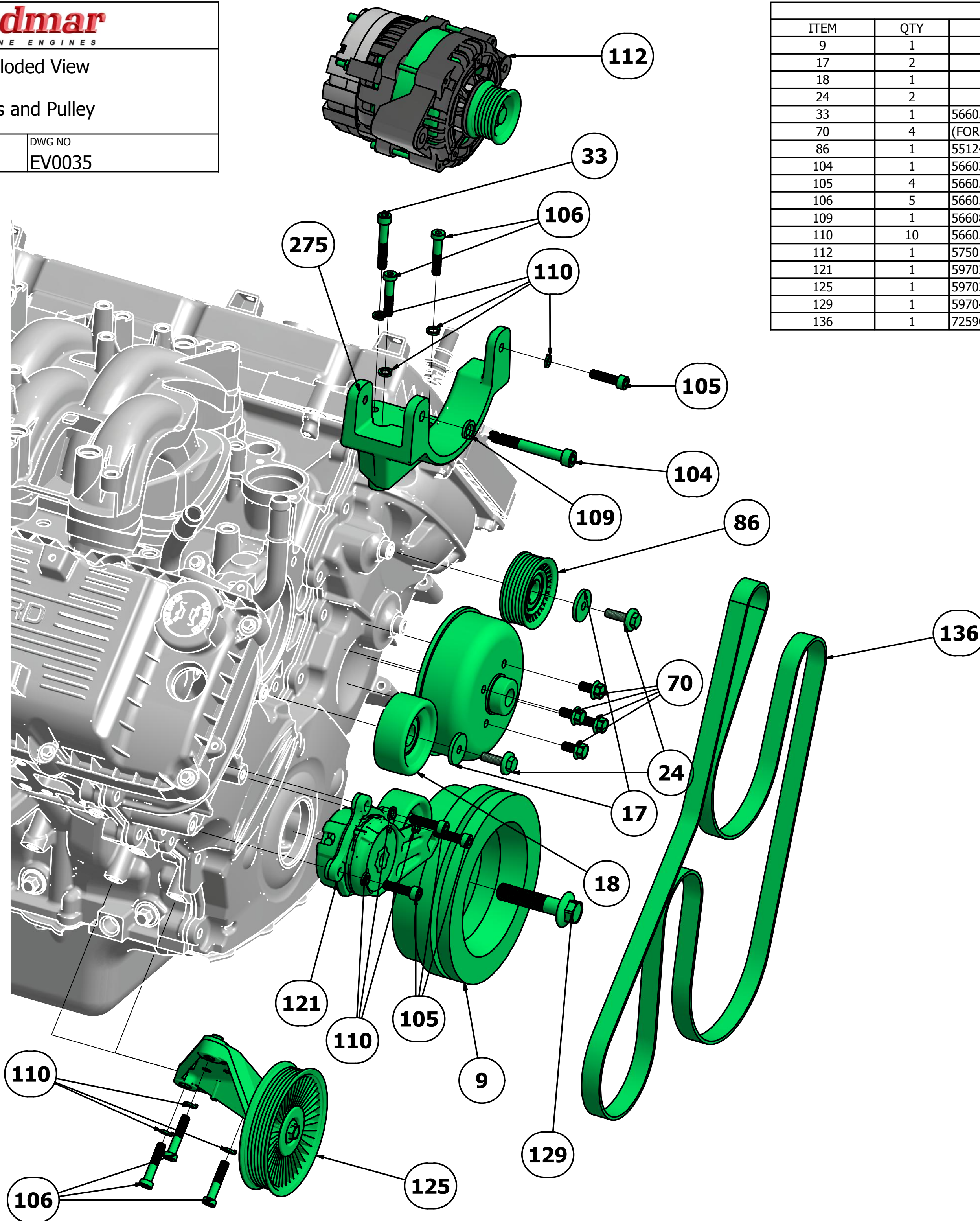


Exploded View

Belts and Pulley

APPROVAL DATE

DWG NO  
EV0035



PARTS LIST			
ITEM	QTY	PART NUMBER	DESCRIPTION
9	1		Ford Balancer
17	2		Ford Pulley Washer ID M8 OD 31.6mm T 3.5
18	1		Ford Smooth Pulley
24	2		Pulley Bolt M8 x 1.25 x 25
33	1	566053Q	SCREW SHC 8MM X 1.25 X 50 SP 25
70	4	(FORD)	SCREW FH M8x1.25x18
86	1	551246	Pulley, Idler - Inside Serpent
104	1	566039Q	SCREW SHC M10 X 1.50 X 80
105	4	566051Q	SCREW SHC 8MM X 1.25 X 30 SP 25
106	5	566052Q	SCREW SHCS 8MM X 1.25 X 40M SP
109	1	566080Q	WASHER LOCK 10 MM SP 25
110	10	566054Q	WASHER LOCK 8 MM SP 25
112	1	575014	ALTERNATOR 95 AMP DELCO
121	1	597025	TENSIONER ASSY FORD 6.2
125	1	597039	IDLER ASY FORD 6.2
129	1	597043	CRANK DAMPNER BOLT FORD 6.2
136	1	725901	BELT FORD 6.2

Applicable Models



Exploded View

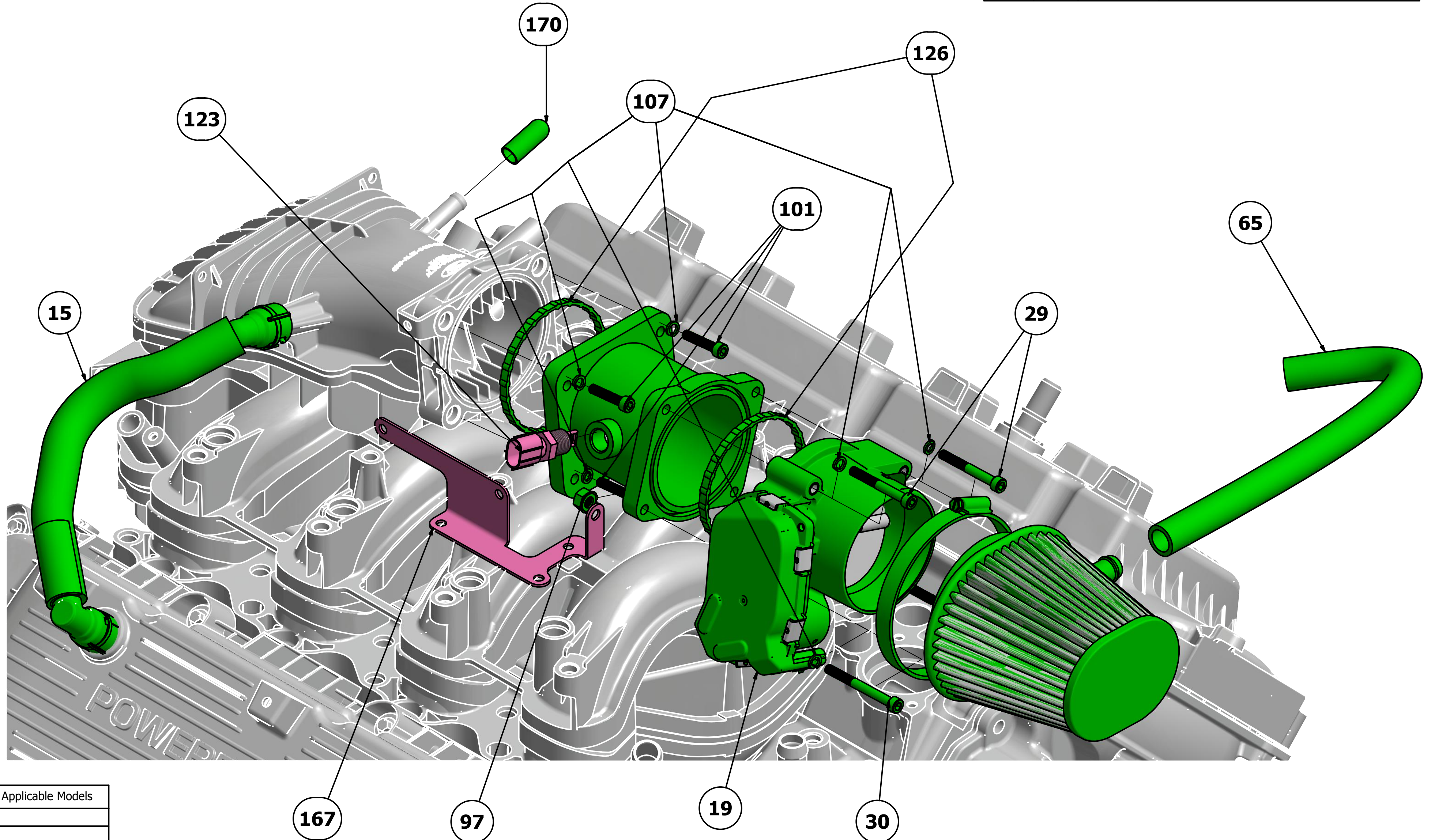
Intake

APPROVAL DATE

DWG NO

EV0036

PARTS LIST			
ITEM	QTY	PART NUMBER	DESCRIPTION
15	1		Ford PCV Valve
19	1		Ford Throttle Body
29	3		SCREW SHCS M6 X 1.0 X 50
30	1		SCREW SHCS M6 X 1.0 X 60
65	1		vent hose 2
97	2	565975	NUT HEX 8MM w/STAR WASHER
101	4	566031	SCREW SHC M6 X 1.00 X 30
107	8	566076Q	WASHER LOCK 6 MM SP
123	1	597027	AIT FORD 6.2
126	2	597040	SEAL THRITTLE BODY TO INTAKE FORD 6.2
167	1	985908	BRACKET FUSE 6.2 FORD
170	1	995364	CAP VAC PORT INTAKE (FORD)



Applicable Models